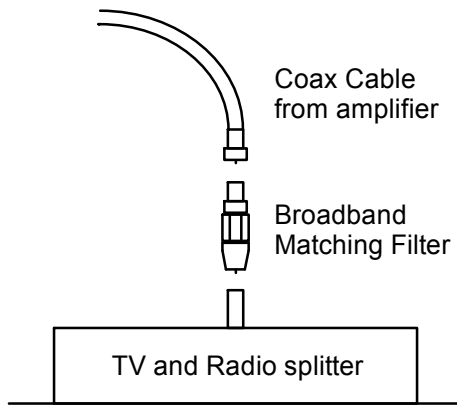




FlexCabling

Broadband Matching Filter



Description

The "Broadband Matching Filter" is used in combination with a FlexCabling certified amplifier and a FlexCabling "TV and Radio splitter", to reach the best performance, when broadband TV are distributed through FlexCabling.

The "Broadband Matching Filter" are recommended by antenna technicals and providers, because the amplifier are aloud to deliver a totally strait signal from low to high frequency.

Connect the "Broadband Matching Filter" between the amplifier and the "TV and Radio splitter" (see pictures).

The male side of "Broadband Matching Filter" fits directly on the "TV and Radio splitter" input.

Product Type: Broadband Matching Filter

Input: F-Type coax female
Output: F-Type coax male

Frequency range: 5-862 MHz
Also support return path signals

Transmission media: coax cable

Insertion Loss: 2,5-15 dB

Dimensions: 42mm(L) x 13mm(Ø)

Weight: 18g

Temperature range: -10 to +50 C

Connection sample

